

Overload relay 50...200 A for motor protection size S6, CLASS 10E  
 Contactor/standalone mounting Main circuit: s-t transform. Aux.  
 circuit: screw term. Manual/Auto RESET



<b>Product brand name</b>	SIRIUS
<b>Product designation</b>	solid-state overload relay
<b>Product type designation</b>	3RB2
<b>General technical data</b>	
<b>Size of overload relay</b>	S6
<b>Size of contactor can be combined company-specific</b>	S6
Insulation voltage with degree of pollution 3 rated value	1 000 V
<b>Surge voltage resistance rated value</b>	8 kV
<b>maximum permissible voltage for safe isolation</b>	
<ul style="list-style-type: none"> <li>• in networks with grounded star point between auxiliary and auxiliary circuit</li> </ul>	300 V
<ul style="list-style-type: none"> <li>• in networks with grounded star point between auxiliary and auxiliary circuit</li> </ul>	300 V
<ul style="list-style-type: none"> <li>• in networks with grounded star point between main and auxiliary circuit</li> </ul>	600 V
<ul style="list-style-type: none"> <li>• in networks with grounded star point between main and auxiliary circuit</li> </ul>	690 V
<b>Protection class IP</b>	
<ul style="list-style-type: none"> <li>• on the front</li> </ul>	IP20

• of the terminal	IP20
<b>Vibration resistance</b>	1-6 Hz, 15 mm; 6-500 Hz, 20 m/s <sup>2</sup> ; 10 cycles
<b>Thermal current</b>	200 A
<b>Recovery time</b>	
• after overload trip with automatic reset typical	3 min
• after overload trip with remote-reset	0 min
• after overload trip with manual reset	0 min
<b>Type of protection</b>	II (2) G [Ex e] [Ex d] [Ex px] II (2) D [Ex t] [Ex p]
<b>Protection against electrical shock</b>	finger-safe
Equipment marking acc. to DIN EN 81346-2	F

#### Ambient conditions

<b>Ambient temperature</b>	
• during operation	-25 ... +60 °C
• during storage	-40 ... +80 °C
• during transport	-40 ... +80 °C
<b>Temperature compensation</b>	60 ... -25 °C

#### Main circuit

<b>Number of poles for main current circuit</b>	3
<b>Adjustable pick-up value current of the current-dependent overload release</b>	50 ... 200 A
<b>Operating voltage</b>	
• rated value	1 000 V
• at AC-3 rated value maximum	1 000 V
<b>Operating frequency rated value</b>	50 ... 60 Hz
<b>Operating current rated value</b>	200 A
<b>Operating power for three-phase motors at 400 V at 50 Hz</b>	30 ... 110 kW

#### Auxiliary circuit

<b>Design of the auxiliary switch</b>	integrated
<b>Number of NC contacts</b>	
• for auxiliary contacts	1
— Note	for contactor disconnection
<b>Number of NO contacts</b>	
• for auxiliary contacts	1
— Note	for message "tripped"
<b>Number of CO contacts</b>	
• for auxiliary contacts	0
<b>Operating current of auxiliary contacts at AC-15</b>	
• at 24 V	4 A
• at 110 V	4 A
• at 120 V	4 A

• at 125 V	4 A
• at 230 V	3 A
<b>Operating current of auxiliary contacts at DC-13</b>	
• at 24 V	2 A
• at 60 V	0.55 A
• at 110 V	0.3 A
• at 125 V	0.3 A
• at 220 V	0.11 A

#### Protective and monitoring functions

<b>Trip class</b>	CLASS 10E
<b>Design of the overload release</b>	electronic

#### UL/CSA ratings

<b>Full-load current (FLA) for three-phase AC motor</b>	
• at 480 V rated value	200 A
• at 600 V rated value	200 A
<b>Contact rating of auxiliary contacts according to UL</b>	B600 / R300

#### Short-circuit protection

<b>Design of the fuse link</b>	
• for short-circuit protection of the main circuit	
— with type of coordination 1 required	gG: 355 A, Class L: 601 A
— with type of assignment 2 required	gG: 315 A
• for short-circuit protection of the auxiliary switch required	fuse gG: 6 A

#### Installation/ mounting/ dimensions

<b>Mounting position</b>	any
<b>Mounting type</b>	direct mounting / stand-alone installation
<b>Height</b>	119 mm
<b>Width</b>	120 mm
<b>Depth</b>	155 mm
<b>Required spacing</b>	
• with side-by-side mounting	
— forwards	0 mm
— Backwards	0 mm
— upwards	0 mm
— downwards	0 mm
— at the side	0 mm
• for grounded parts	
— forwards	0 mm
— Backwards	0 mm
— upwards	0 mm

— at the side	6 mm
— downwards	0 mm
• for live parts	
— forwards	0 mm
— Backwards	0 mm
— upwards	0 mm
— downwards	0 mm
— at the side	6 mm

### Connections/Terminals

<b>Product function</b>	
• removable terminal for auxiliary and control circuit	Yes
<b>Type of electrical connection</b>	
• for main current circuit	straight-through transformers
• for auxiliary and control current circuit	screw-type terminals
<b>Arrangement of electrical connectors for main current circuit</b>	Top and bottom
<b>Type of connectable conductor cross-sections</b>	
• for auxiliary contacts	
— solid	1x (0.5 ... 4 mm <sup>2</sup> ), 2x (0.5 ... 2.5 mm <sup>2</sup> )
— single or multi-stranded	1x (0,5 ... 4 mm <sup>2</sup> ), 2x (0,5 ... 2,5 mm <sup>2</sup> )
— finely stranded with core end processing	1x (0.5 ... 2.5 mm <sup>2</sup> ), 2x (0.5 ... 1.5 mm <sup>2</sup> )
• at AWG conductors for auxiliary contacts	2x (20 ... 14)
<b>Tightening torque</b>	
• for auxiliary contacts with screw-type terminals	0.8 ... 1.2 N·m

### Communication/ Protocol

<b>Type of voltage supply via input/output link master</b>	No
--	----

### Electromagnetic compatibility

<b>Field-bound parasitic coupling acc. to IEC 61000-4-3</b>	10 V/m
<b>Electrostatic discharge acc. to IEC 61000-4-2</b>	6 kV contact discharge / 8 kV air discharge

### Display

<b>Display version</b>	
• for switching status	Slide switch

### Certificates/approvals

General Product Approval	EMC	For use in hazardous locations
--------------------------	-----	--------------------------------



Declaration of Conformity	Test Certificates	Marine / Shipping
---------------------------	-------------------	-------------------



[Special Test Certificate](#)

[Type Test Certificates/Test Report](#)



Marine / Shipping	other
-------------------	-------



[Miscellaneous](#)

[Environmental Confirmations](#)

[Confirmation](#)

## Further information

### Information- and Downloadcenter (Catalogs, Brochures,...)

<http://www.siemens.com/industrial-controls/catalogs>

### Industry Mall (Online ordering system)

<https://mall.industry.siemens.com/mall/en/en/Catalog/product?mlfb=3RB2056-1FW2>

### Cax online generator

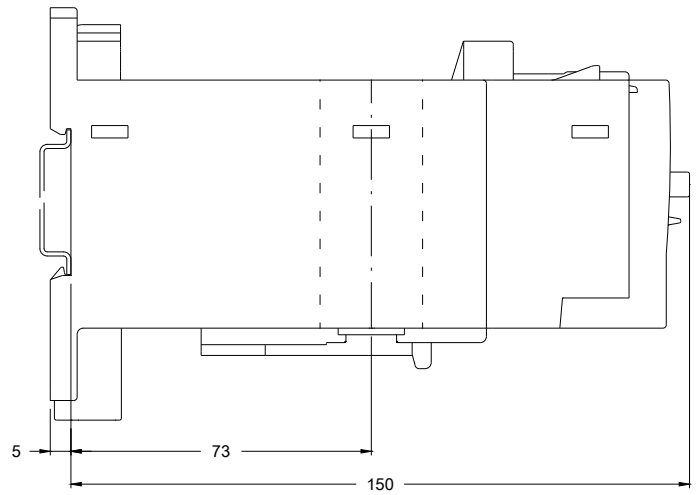
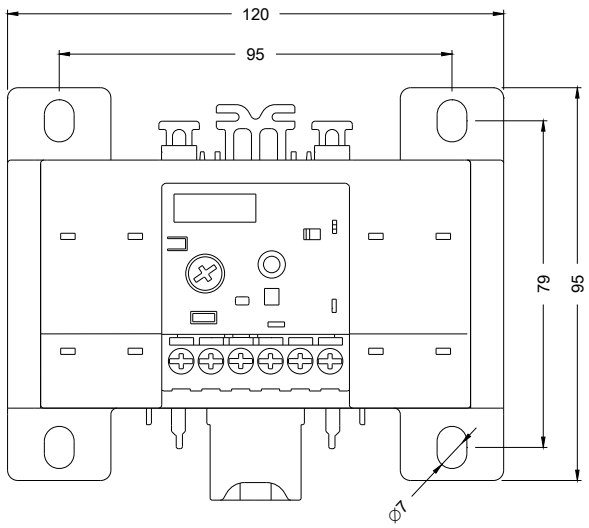
<http://support.automation.siemens.com/WW/CAXorder/default.aspx?lang=en&mlfb=3RB2056-1FW2>

### Service&Support (Manuals, Certificates, Characteristics, FAQs,...)

<https://support.industry.siemens.com/cs/ww/en/ps/3RB2056-1FW2>

### Image database (product images, 2D dimension drawings, 3D models, device circuit diagrams, EPLAN macros, ...)

[http://www.automation.siemens.com/bilddb/cax\\_de.aspx?mlfb=3RB2056-1FW2&lang=en](http://www.automation.siemens.com/bilddb/cax_de.aspx?mlfb=3RB2056-1FW2&lang=en)



last modified:

07/28/2017